



## SPECIFICATION SHEET

### UMACABLE HIGH QUALITY DVI-D SINGLE LINK CABLE

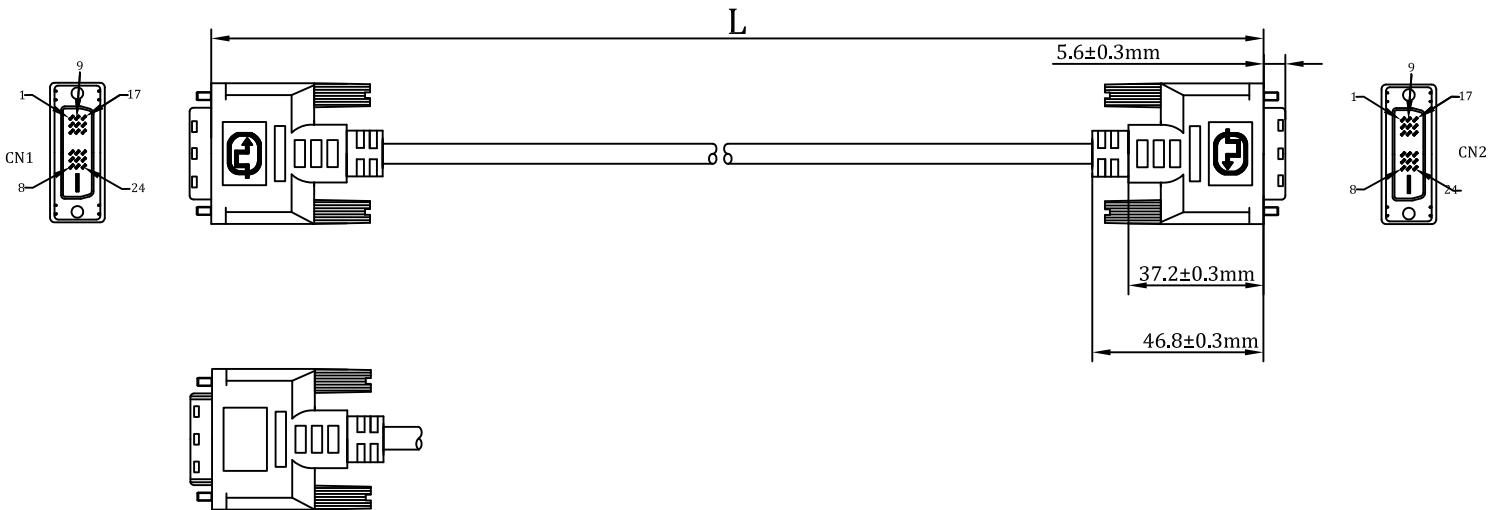
ITEM NO.: UMDV1001



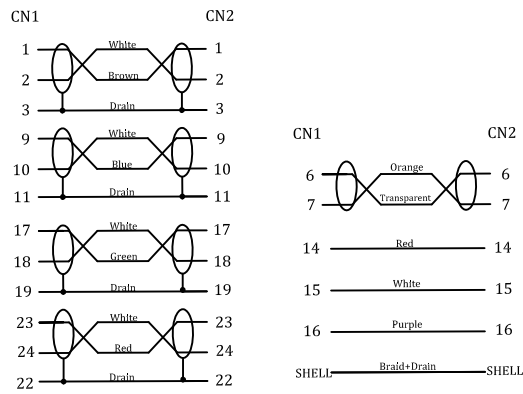
#### KEY FEATURES :

- DVI-D Single Link video cable
- Connects a standard DVI device to an HDTV, monitor, projector or other standard DVI device
- Support 1600\*1200@60 or 1920x1080@60 (1080p Full HD) resolution
- Bandwidth up to 4.95Gbps
- The screw design makes sure a secure connection
- Lifetime Warranty

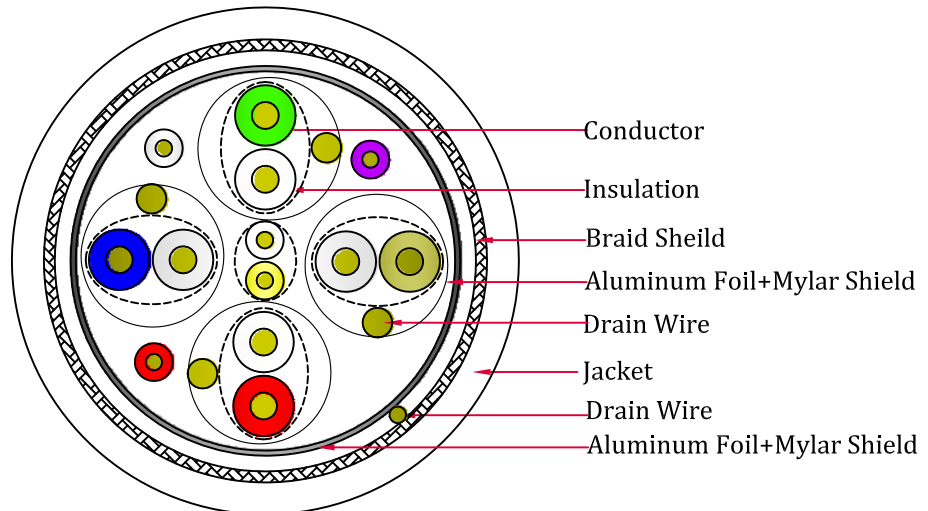
# UMACABLE HIGH QUALY DVI-D SINGLE LINK CABLE



## Diagram



## Construction



# UMACABLE HIGH QUALITY DVI-D SINGLE LINK CABLE

## Electrical Characteristics:

Nominal Attenuation:	8db/cable (1-825MHz)
Nominal Velocity of Propagation:	4.95Gbps
DC Resistance:	300V
Dielectric Strength:	AC 500V/1 minute
Insulation Resistance:	100Ω

## Conductor 1 (4 pairs)

Conductor Type:	30AWG Bare Copper
Insulation:	Foamed PE
Color:	Brown/White, Blue/White, Green/ White, Red/White
Drain Wire:	30AWG Bare Copper
Shield:	Aluminum Foil+Mylar 100% Coverage

## Connector 1

Connector Type:	DVI-D 18+1 Male
PIN Construction:	Phosphor Copper
Plating:	1 μm Gold
Injection:	45P PVC

## Overall

Drain Wire:	30AWG Copper Clad Steel
Foil Shield:	Aluminum Foil+Mylar 100% Coverage
Braided Shield:	16/5/0.12 Aluminum Magnesium
Jacket:	PVC
OD:	6.0±0.2mm

## Physical Characteristics:

Voltage Rating:	30V
Maximum Bend Radius:	90mm
Temperature Rating:	80 °C
Approvals:	RoHS Compliant
Package type:	PE bag, Zip bag, Box, Hang card, Blister

## Conduct 2 ( 1 pair)

Conductor Type:	30AWG Bare Copper
Insulation:	HDPE
Color:	Orange, Transparent

## Conduct 3 ( 3 conductors)

Conductor Type:	30AWG Bare Copper
Insulation:	HDPE
Color:	Red, White, Purple

## Connector 2

Connector Type:	DVI-D 18+1 Male
PIN Construction:	Phosphor Copper
Plating:	1 μm Gold
Injection:	45P PVC

## Customized Parameters

Guage:	AWG 30, 28, 26, 24
Length:	1, 1.5, 1.8, 2, 3, 5, 7.5, 10, 15, 20m
Color:	Black or Customized
Ferrite Core:	Customized
Nylon Mesh:	Customized
Package type:	PE bag, Zip bag, Box, Hang card, Blister